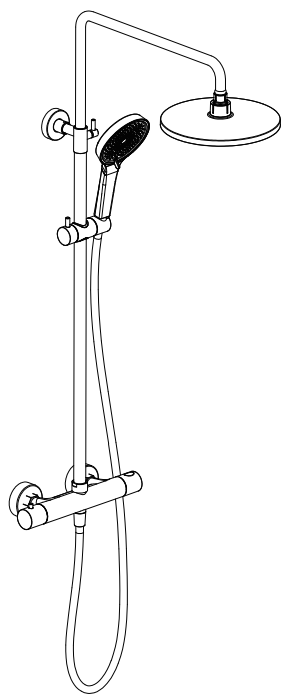


mob

INSTALLATION INSTRUCTIONS

Wall mounted bath shower mixer



Before Installation

Check whether the product in the package is consistent with the installation instructions

Make sure the product is suitable for the use environment (pressure : 0.03 MPa - 1 MPa, temperature: 5°C - 9 0°C)

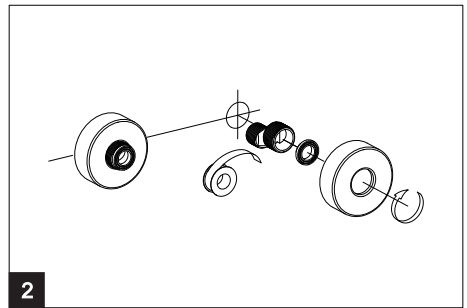
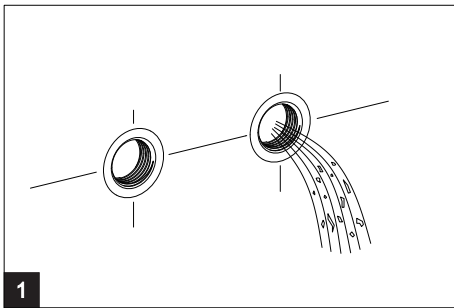
Check whether the product and spare parts are damaged

Turn off the waterway switch before installation

Prepare the tools you may need

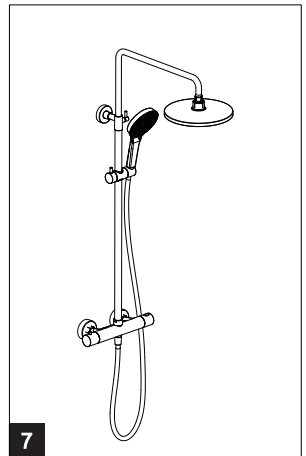
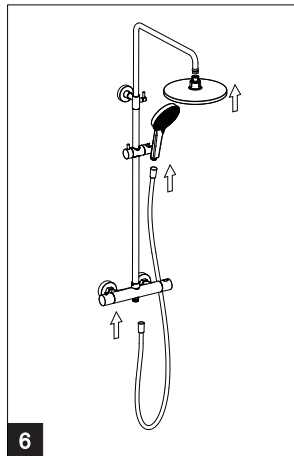
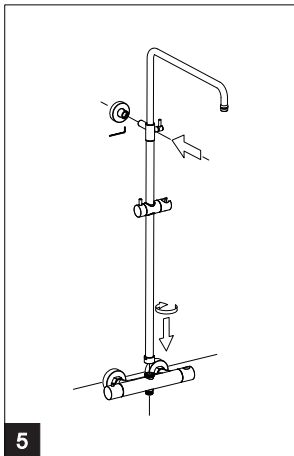
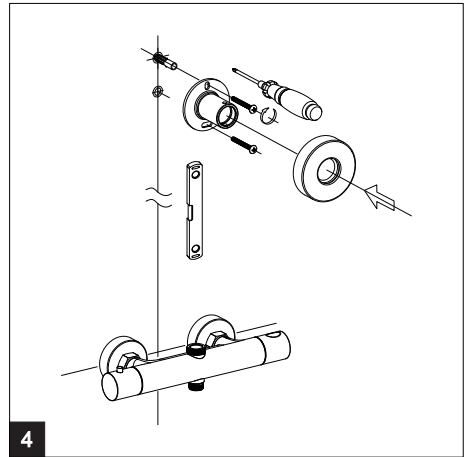
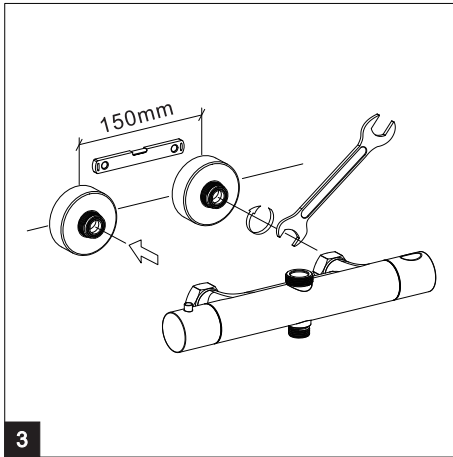
Installation Procedure

Recommend Tools



1.Fill the gap between the wall and the outlet hole with silicone,Turn on the valve and allow the water flow for 5 minutes to discharge the pipe debris, then turn off the switch.

2.Wrap the bent connector with Teflon tapes.Then twist it into the outlet hole.



3. Adjust the position of the two bent connectors to be horizontal, and make sure the center distance is 150mm, Put the flat washer in the inlet hole, Lock the female screw to tight the mixer body.
4. Try the shower pipe to determine the installation position of the fixed seat and make a mark. Install a plastic expansion tube at the marked position and secure the mount to the wall with screws.
5. Thread the inner joint of the shower pipe to the joint of the faucet body, Insert the upper part of the shower pipe into the holder and lock it with a 2mm hexagonal hand.
6. Thread the female end of the shower hose onto the nipple of the mixer body, Connect the opposite end of the shower hose to the hander shower.
7. Installation completed. Turn on the tap switch and test whether it works properly.

