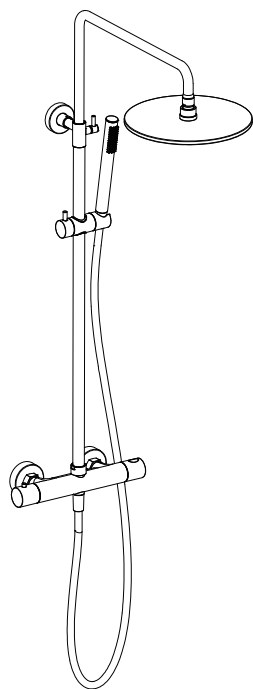


mob

INSTALLATION INSTRUCTIONS

Wall mounted bath shower mixer



Before Installation

Check whether the product in the package is consistent with the installation instructions

Make sure the product is suitable for the use environment (pressure : 0.03 MPa - 1 MPa, temperature: 5°C - 9 0°C)

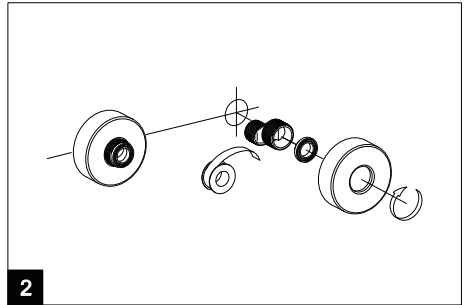
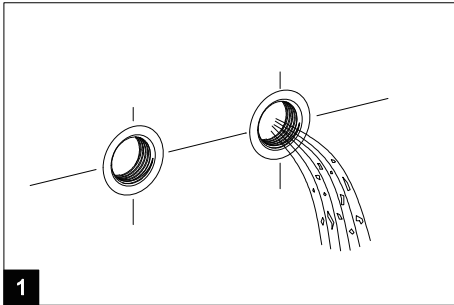
Check whether the product and spare parts are damaged

Turn off the waterway switch before installation

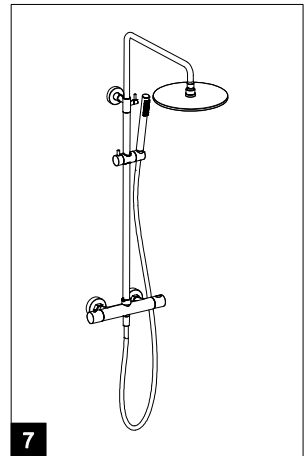
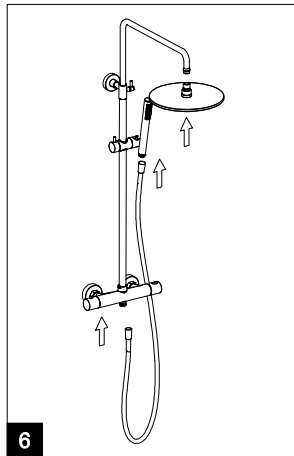
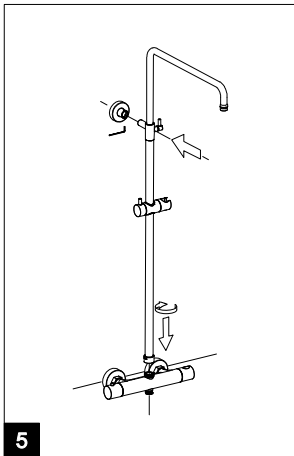
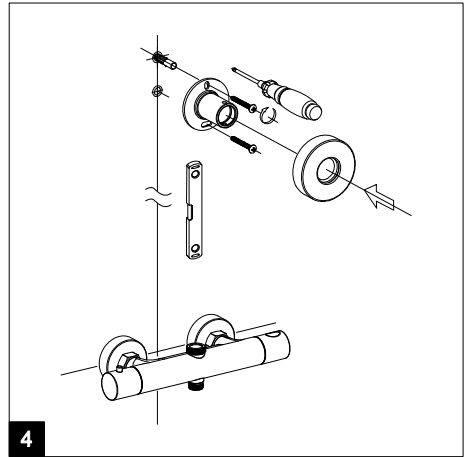
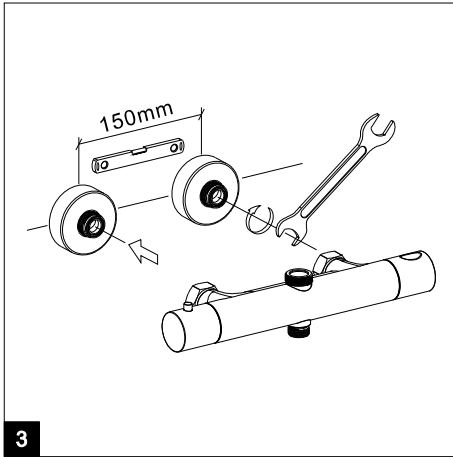
Prepare the tools you may need

Installation Procedure

Recommend Tools

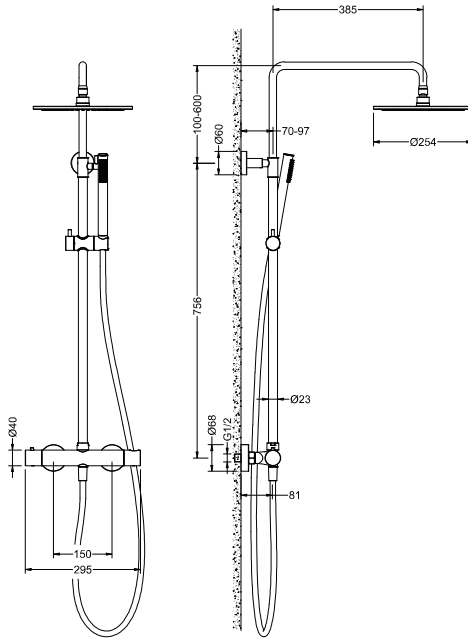


- 1.Fill the gap between then wall and the outlet hole with silicone,Turn on the valve and allow the water flow for 5 minutes to discharge the pipe debris, then turn off the switch.
- 2.Wrap the bended connector with Teflon tapes.Then twist it into the outlet hole.



3. Adjust the position of the two bended connectors to be horizontal, and make sure the center distance to be 150mm, Put the flat washer in the inlet hole, Lock the female screw to tight the mixer body.
4. Try the 7-type shower tube to determine the installation position of the fixed seat and make a mark. Install a plastic expansion tube at the marked position and secure the mount to the wall with screws.
5. Thread the inner joint of the type 7 shower tube to the joint of the faucet body, Insert the upper part of the 7-type shower tube into the holder and lock it with a 2mm hexagonal hand.
6. Thread the female end of the shower hose onto the nipple of the mixer body, Connect the opposite end of the shower hose to the hander shower.
7. Installation completed. Turn on the tap switch and test whether it works properly.

Dimensions



unit: mm

Before Use

In order to ensure the shower functional stability and long-lasting appearance, please follow the following precautions:

The main body of the shower is made of high-quality brass. Brass is soft, so do not hit it with hard objects;

Each component of this product has been professionally assembled and tested before leaving the factory. Non-professionals should not disassemble it to avoid affecting the product warranty;

Do not use this product at overpressure or temperature to avoid excessive harm to your body and irreversible damage to the product;

In order to maintain a better appearance, rinse the surface stains with clean water after each use;

Do not use metal or other hard cleaning tools to clean the product surface to avoid scratching the product;

Do not use acidic or other highly corrosive cleaners to clean the product surface to avoid damaging the product surface coating;

When a product malfunctions, contact the dealer promptly to send a professional to perform maintenance.